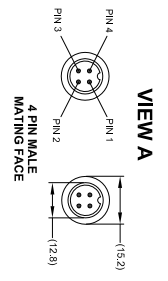
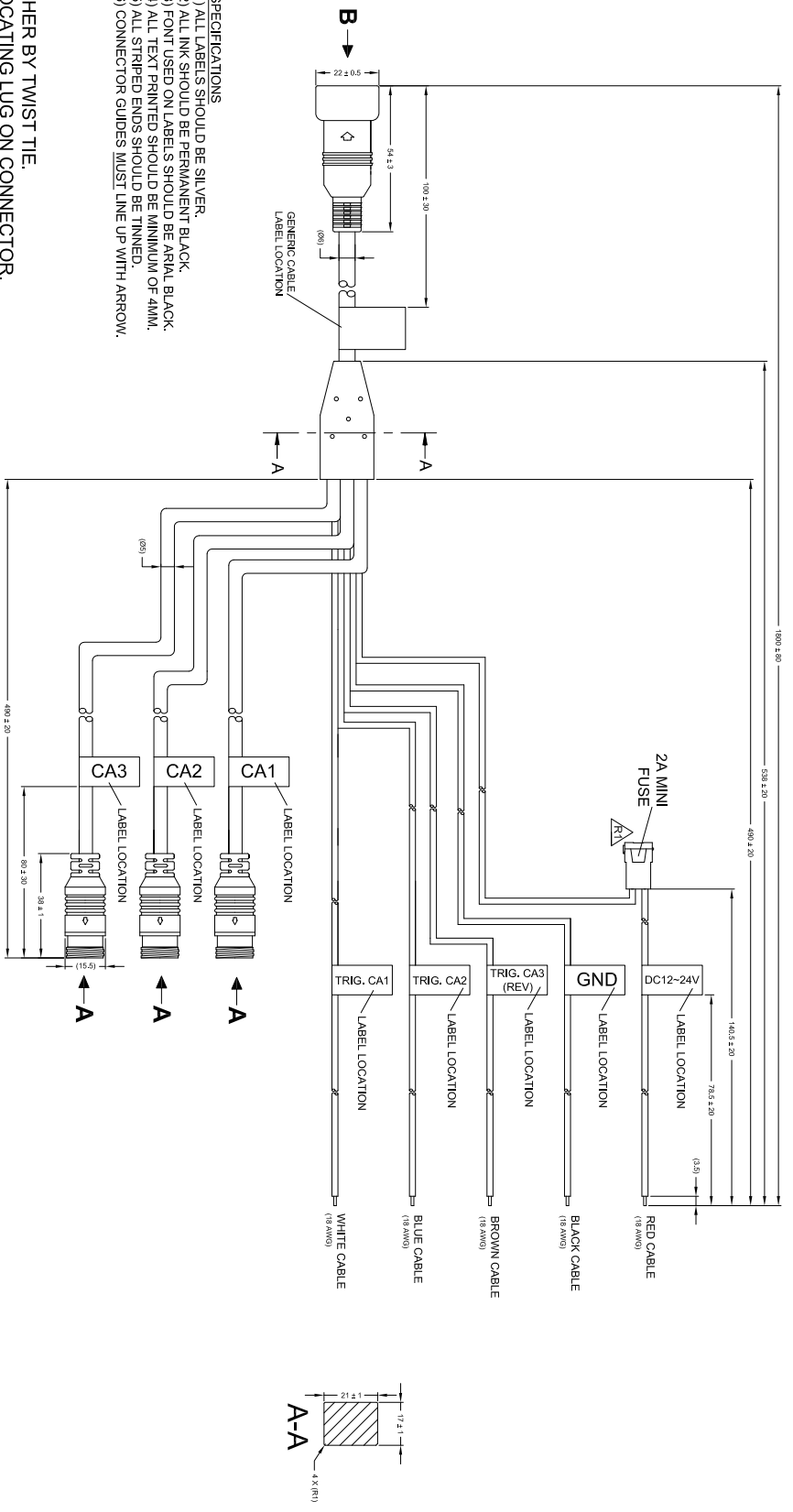


PIN#	WIRE COLOUR	DESCRIPTION
1	RED	TRIG. CA1
2	BROWN	TRIGGER 3
3	BLUE	TRIGGER 2
4	PALE BLUE	CA1 +12V/OUT
5	PALE RED	CA2 +12V/OUT
6	GRAY	CA3 AUDIO
7	YELLOW	CA2 VIDEO
8	GREEN	CA2 +12V/OUT
9	PALE GREEN	CA3 AUDIO
10	WHITE	CA3 VIDEO
11	BLACK	CA1 +12V/OUT
12	PALE BLUE	CA3 AUDIO
13	ORANGE	CA3 VIDEO
14	BLACK	GROUND



PIN #	WIRE COLOUR	DESCRIPTION
1	RED	+12V
2	BLACK	GNL
3	WHITE	AUDIO
4	YELLOW	VIDEO



- SPECIFICATIONS**
- 1) ALL LABELS SHOULD BE SILVER.
  - 2) ALL INK SHOULD BE PERMANENT BLACK.
  - 3) FONT USED ON LABELS SHOULD BE ARIAL BLACK.
  - 4) ALL TEXT PRINTED SHOULD BE MINIMUM OF 4MM.
  - 5) ALL STRIPED ENDS SHOULD BE TINNED.
  - 6) CONNECTOR GUIDES MUST LINE UP WITH ARROW.

- NOTES:**
1. CABLE TO BE HELD NEATLY TOGETHER BY TWIST TIE.
  2. ENSURE ARROWS LINE UP WITH LOCATING LUG ON CONNECTOR.
  3. MAXIMUM POSSIBLE RESISTANCE PERMITTED FOR CABLE IS 1.2Ω.
  4. CABLE TO BE SUPPLIED IN A SUITABLE PRESS SEAL BAG WHEN SUPPLIED AS A SPARE PART.
  5. FOR MANUFACTURING CONTROLS PLEASE REFER TO ASSEMBLY PLANT DRAWING #SV165-31 REVISION 1.0.
  6. FOR CABLE LABEL REFER TO LATEST REVISION OF GENERIC CABLE LABEL DRAWING BE-001500-XX-11.
  7. FUSE HOLDER MAY CHANGE ALTHOUGH FUNCTION AND RATING MUST REMAIN THE SAME.  $\Delta$

**PROPRIETARY NOTICE**  
 THIS DESIGN AND TECHNICAL INFORMATION APPEARING ON THIS DRAWING IS THE PROPERTY OF BRIGADE ELECTRONICS, AND IS DISCLOSED IN CONFIDENCE. IT IS NOT TO BE COPIED, REPRODUCED, REVISED TO OR EXPROPRIATED BY OTHERS, EITHER IN WHOLE OR IN PART WITHOUT THE EXPRESS WRITTEN CONSENT OF BRIGADE ELECTRONICS.

<p>Third Angle</p>	<p>Assembly PI Approval          DONGQUING LIM (16/01/14)</p>	<p>Approved by          B.JOHN</p>	<p>Checked by          RBATES</p>	<p>Drawn by          MBUTLER</p>
	<p>Angle of Projection</p>	<p>Units          mm</p>	<p>Scale          N/A</p>	<p>Released          17/01/14</p>
<p>Status          RELEASED</p>	<p>Part No          31768</p>	<p>Released          17/01/14</p>	<p>Released          165-31</p>	<p>Assembly Ref          VBV-7X0M-CA</p>
<p>www.brigade-electronics.com</p>		<p>BE-002292-01-13</p>		